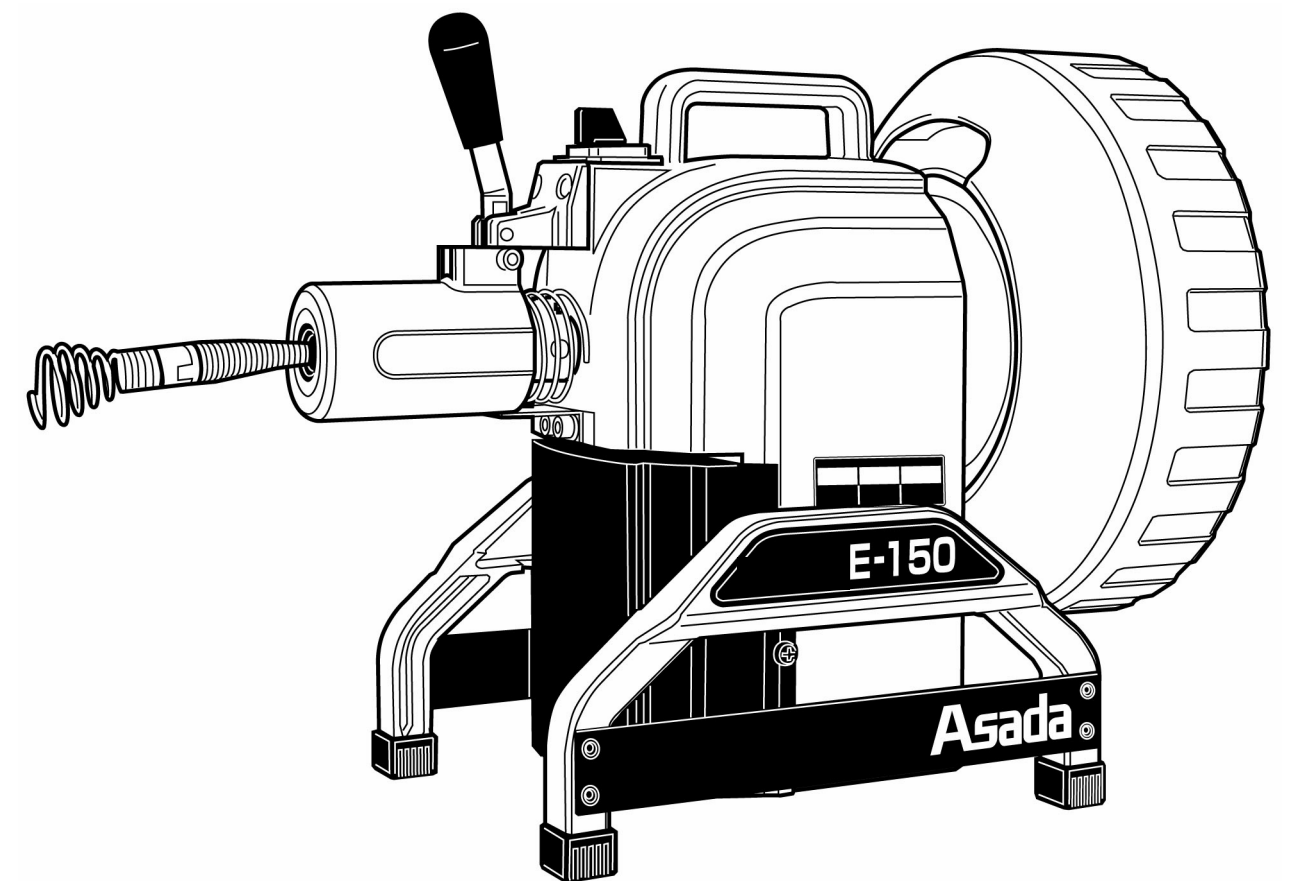


Asada

INSTRUCTION MANUAL

DRAIN CLEANER E-150



READ THROUGH THIS MANUAL CAREFULLY BEFORE USING THE MACHINE.



ASADA CORPORATION

3-60, KAMIIDA NISHIMACHI, KITA-KU, NAGOYA, JAPAN 462-8551
TEL:(052)914-1206 FAX:(052)914-2011

■SAFETY REGULATIONS

Thank you for choosing our Drain Cleaner E-150.

- This Instruction Manual must be retained by the user of this machine.
- Read this Instruction Manual carefully and completely before use and thoroughly understand it.
- Handle the machine properly to make full use of its functions for safe work.
- Save this Instruction Manual so that you can read it when necessary.
- Use the machine for the intended application only.
- Upon receiving the machine, check the following.
 - Check that the machine is built conforming to the specifications stated in your order.
 - Check the overall machine for any damage or deformation caused in transit due to accidents.
 - Check that all items and accessories are delivered.

In case any discrepancy is found, immediately report the fact to the shop you purchased.
(The contents of this Instruction Manual are subject to change without prior notice.)

■CLASSIFICATION OF CAUTIONS

Precautionary signs are classified into the following 3 levels.



Indicates an imminently hazardous situation which, if not avoided, will result in death or serious injury.



Indicates a potentially hazardous situation which, if not avoided, could result in death or serious injury.

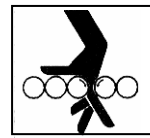


Indicates a potentially hazardous situation which, if not avoided, may result in minor or moderate injury. It may also be used to alert against unsafe practices.

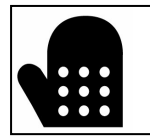
■SYMBOLS



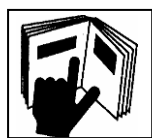
Electrical Shock



Pinching



Use Safety Glove



Instruction Manual



Others

■HOW TO OPERATE

①Pull out Wire.(Fig.1)

(Do not pull out any more if you find “red mark” on Wire.)

②Insert Wire to the pipe slowly and when Head reaches the blockage or Head cannot be inserted due to an acute bend of the pipe, push down Chuck Knob to hold Wire.(Fig.2)

③Switch on the machine to rotate Wire and pass through it. Normally turn the switch to 1.(Turn the switch to 2 when Bulb Head Wire is used.)

④In case of heavy blockage, repeat to move Wire for and backward with rotating wire clockwise and counterclockwise. Do not change the direction of rotation until the motor stops.

⑤If Wire cannot be held firmly by Chuck Knob, it should be held by the attached Wire Fixing Bolt.(Fig.3)

⑥When finished cleaning the pipe, wash Wire and return it to Wire Case after spraying anticorrosive oil.
(Optional Accessory : Rowonal R72142)

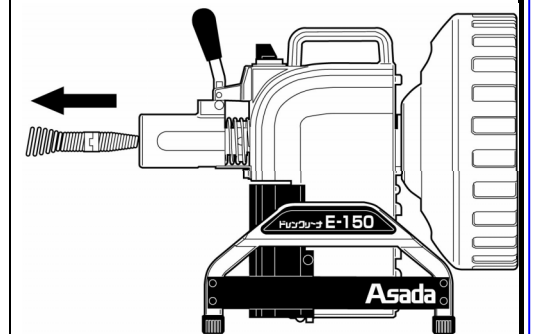


Fig.1

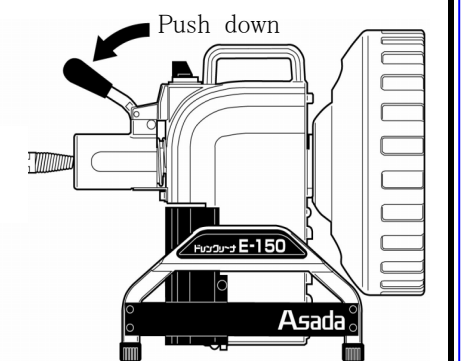


Fig.2



①When Wire was twisted during operation, immediately stop the machine. Otherwise, Wire may be broken and it may cause accident.

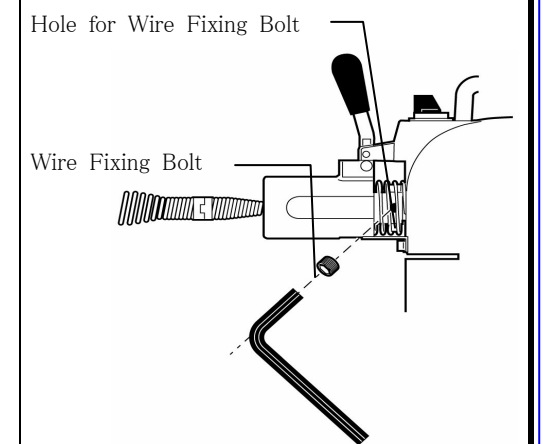






Fig.3

⚠ WARNING

	①During operation, keep your face away from the moving parts. You may be caught in the moving parts, causing injury.
	①Use Safety Glove exclusive for drain cleaning. Unsuitable gloves may be caught by rotating parts leading to accidents. Optional Accessory : Safety Glove R No.72121 L No.72120
	①All visitors should be kept a safe distance from work area. Keep children away. ②When not in use, machines should be stored in dry and lock-up place - out of reach of children. ③Wires and Heads should be handled carefully to avoid accidents and injury. ④If you have dropped or hit the machine accidentally, carefully check for damage, crack or deformation. ⑤If you have noticed abnormal state of the machine, ask for inspection or repair. If you use the machine with defect, the machine may be damaged or you will be injured. ⑥Use the machine at the voltage indicated on Machine Plate. Otherwise, the machine may become hot or catch fire. Make sure that the switch is OFF when inserting the power plug.

⚠ CAUTION

	①Wear proper apparel. Wear safety shoes and glasses according to the environment. ②Connect Wire and Head properly. You cannot clean pipes or Head may be dropped in pipe if not connected properly. ③Do not pull out Wire any more if you find "red mark" on Wire. It shows the end of Wire. ④Do not rotate Wire before tightening chuck to hold Wire. Wire may be twisted and it may cause accident and injury.
------------------------------------------------------------------------------------	------------------------------------------------------------------------------------------------------------------------------------------------------------------------------------------------------------------------------------------------------------------------------------------------------------------------------------------------------------------------------------------------------------------------------

■ SPECIFICATIONS

Capacity	Pipe Diameter	20mm~100mm
	Distance	15m
Rotation	215/260rpm (50/60Hz)	
Motor	Condenser, 150W, Voltage made to order	
Body Weight	12.9kg	
Gross Weight	18.2kg	
Dimensions (L×W×H)	430×290×365mm	
Standard Accessories	Wire	No.48500 φ13mm PC Wire (φ13mm×15.5m)
	Head	No.48601 Bulb Head 24
		No.48602 Double Grease Cutter
	Others	No.70135 Wire Key
No.80468 Wire Fixing Bolt		
No.86003 Allen Wrench		

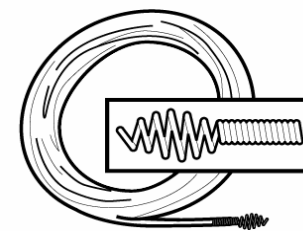
■ STANDARD ACCESSORIES (●) AND OPTIONAL ACCESSORIES (○)

Code No.	Item	Size	E-150
DH301	Bulb Head Wire	φ8×8m	○
DH309	Bulb Head Wire 15.5m	φ8×15.5m	○
DH310	Bulb Head Wire 20m	φ8×20m	○
DH302	Drop Head Wire	φ8×8m	○
DH317	Drop Head Wire 15.5m	φ8×15.5m	○
DH318	Drop Head Wire 20m	φ8×20m	○
DH305	Coupling Wire	φ10×8m	○
DH306	Coupling Wire 15.5m	φ10×15.5m	○
DH307	Coupling Wire 20m	φ10×20m	○
48500	φ13 PC Wire	φ13×15.5m	●
48608	Drop Head	φ15mm	○
48606		φ24mm	○
48609	Funnel Head	φ24mm	○
48610		φ32mm	○
48611		φ38mm	○
48612		φ60mm	○
48601	Bulb Head	φ24mm	●
48613	Grease Cutter	φ22mm	○
48616		φ36mm	○
48617		φ62mm	○
48602	Double Grease Cutter	φ40mm	●
48618	Wire Brush	φ20mm	○
49619		φ30mm	○
48626		φ40mm	○
48620		φ50mm	○
70135	Wire Key		●

■ WIRE

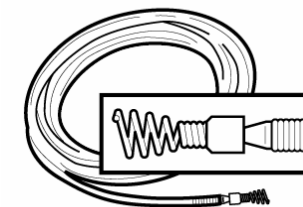
●Bulb Head Wire

A barrel type Head is suitable for small pipes.



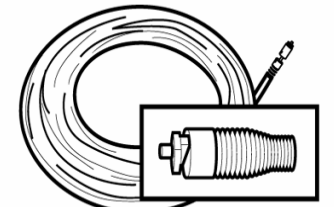
●Drop Head Wire

Suitable for small winding pipes



●Coupling Wire · φ13 PC Wire

4 types of Head can be changed depending on the condition.



■HEAD (Used with φ13mm PC Wire · Coupling Wire)

- | | | | |
|--------------------------------------------------------------------------------|-------------------------------------------------------------------|------------------------------------------------------------|----------------------------------------|
| ●Funnel Head
Suitable to remove
vegetables, rags,
papers, hairs, etc. | ●Wire Brush
Suitable to remove
sands, rust, scales,
etc. | ●Grease Cutter
Suitable to remove
grease, lard, etc. | ●Bulb Head
Suitable for small pipes |
|--------------------------------------------------------------------------------|-------------------------------------------------------------------|------------------------------------------------------------|----------------------------------------|



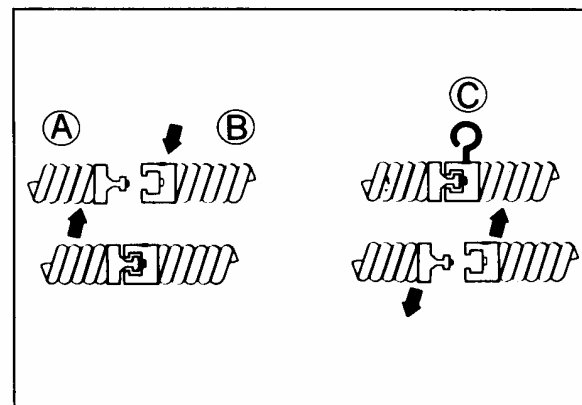
■SUITABLE SIZE OF HEAD

*For reference only

Head	Size	1"~	1.1/4"~	1.1/2"~	2"~	2.1/2"~	3"~
Funnel Head			φ 24mm	φ 32mm	φ 38mm		φ 60mm
Bulb Head			φ 24mm				
Grease Cutter			φ 22mm		φ 36mm	φ 62mm	
Double Grease Cutter					φ 40mm		
Drop Head	φ 15mm	φ 24mm					
Wire Brush	φ 20mm	φ 30mm		φ 40mm	φ 50mm		

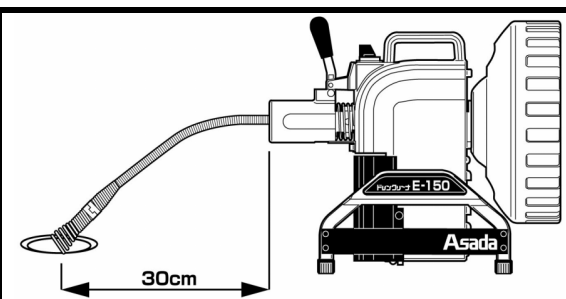
■HOW TO CHANGE HEAD

- ①To couple Head and Wire, simply slide male A to female B. They are locked with male pin.
- ②To disconnect, insert Wire Key C and slide apart male and female.
- ③Wires are male and Heads are female.



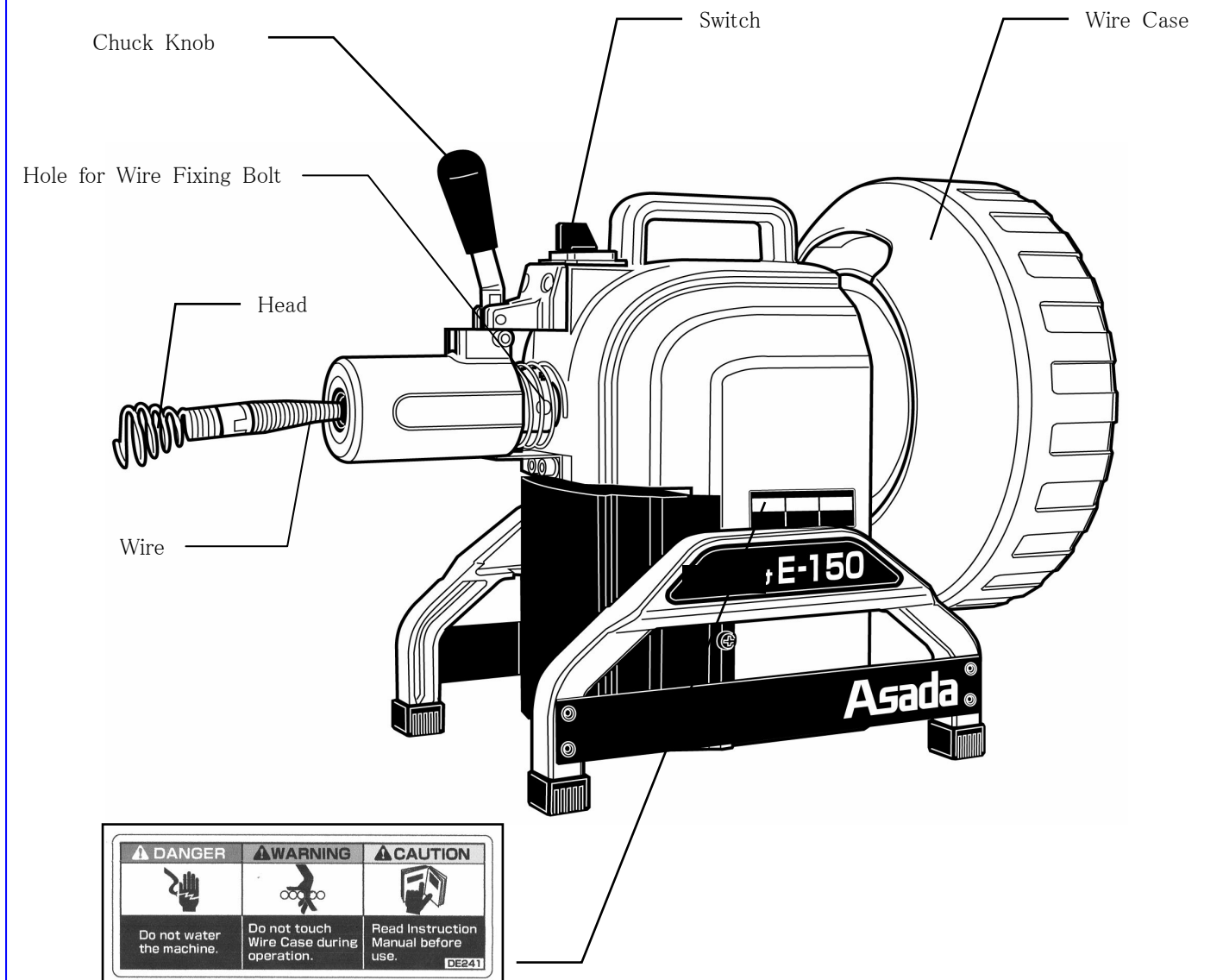
■INSTALLATION

- ①Place the machine on a flat surface at a distance of about 30cm from the drain.
- ②Make sure that the switch is OFF and insert the power plug to the receptacle.
- ③The machine must be grounded while in use.



■MAIN PARTS AND WARNING LABEL

The following warning label is stuck to this machine. It shows explanation for securing safety. Keep them clean, and if it is peeled off or becomes dirty, request new label to us. Be sure to stick new label to the same place.



■PRECAUTIONS ON SAFETY

⚠ DANGER	
	<ol style="list-style-type: none"> ①Do not insert the power plug into the receptacle with wet hand. You will get electric shock. ②Do not water the machine. If water comes inside of the machine, you will get electric shock.