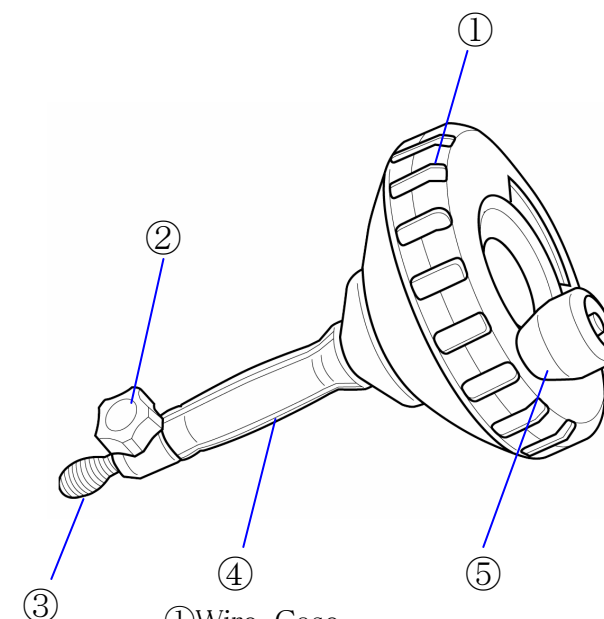


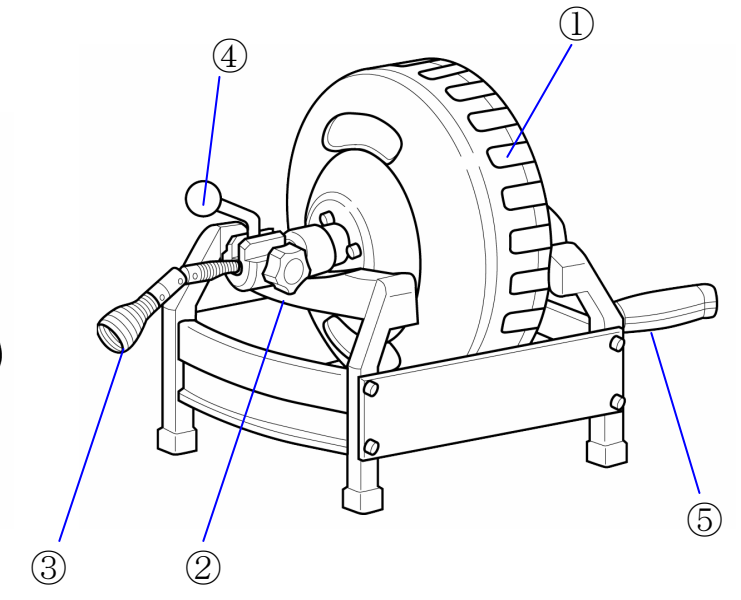
INSTRUCTION MANUAL

DRAIN CLEANER H-75

DRAIN CLEANER H-150



- ① Wire Case
- ② Knob
- ③ Wire
- ④ Grip
- ⑤ Handle



- ① Wire Case
- ② Knob
- ③ Head
- ④ Chuck Handle
- ⑤ Handle

■HOW TO OPERATE

◆H-75

- ① Loosen Knob and pull out Wire. (Do not pull out Wire any more if you find "red mark" on Wire.)
- ② Insert Wire to the pipe slowly and when Head reaches the blockage or Head cannot be inserted due to an acute bend of the pipe, tighten Knob to hold Wire.
- ③ Holding Grip by right hand, rotate Handle clockwise to clean the pipe.
- ④ In case of heavy blockage, repeat to move Wire for and backward with rotating Handle clockwise and counter-clockwise.
- ⑤ When finished cleaning the pipe, pull back Wire to Wire Case with washing and spraying Wire with anticorrosive oil.

(Optional Accessory : Rowonal R72142)

◆H-150

- ① Loosen Knob, pull up Chuck Handle to release Wire and pull out Wire. (Do not pull out Wire any more if you find "red mark" on wire.)
- ② Insert Wire to the pipe slowly and when Head reaches the blockage or Head cannot be inserted due to an acute bend of the pipe, push down Chuck Handle to hold Wire. Tighten Knob also when Wire cannot be held by Chuck Handle.
- ③ In case of heavy blockage, repeat to move Wire for and backward with rotating Handle clockwise and counter-clockwise.
- ④ When finished cleaning the pipe, pull back Wire to Wire Case with washing and spraying Wire with anticorrosive oil.

(Optional Accessory : Rowonal R72142)

■HOW TO OPEN WIRE CASE

Wire Case can be opened when Wire is twisted in Wire Case or to clean the inside of Wire Case.

◆How to open

Loosen 4 pcs. of Stop Bolt A (Fig.1) and loosen 4 pcs. of Stop Bolt fixing Wire Case.

(Wire Case for H-75 is fixed with 3 pcs. of Stop Bolt.)

■HOW TO FIX HANDLE (H-150)

Insert Handle and tighten Stop Bolt with the attached Allen Wrench.

Allen Wrench can be used to open Wire Case.

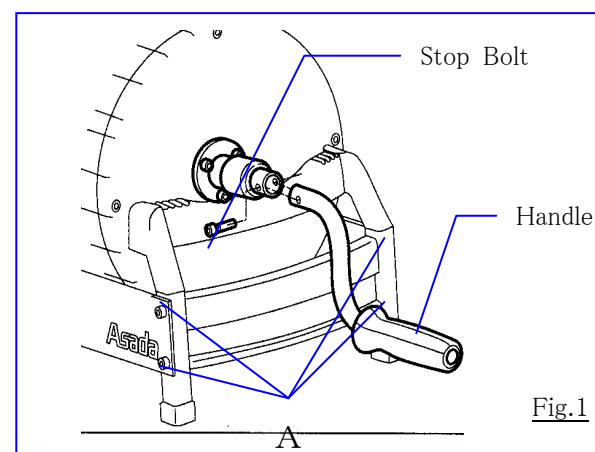


Fig.1

⚠ CLASSIFICATION OF CAUTIONS

WARNING : Indicates a potentially hazardous situation which, if not avoided, could result in death or serious injury.

CAUTION : Indicates a potentially hazardous situation which, if not avoided, may result in minor or moderate injury or damage to the machine.



ASADA CORPORATION

3-60, KAMIIDA NISHIMACHI, KITA-KU, NAGOYA, JAPAN 462-8551

TEL: (052)914-1206 FAX: (052)914-2011

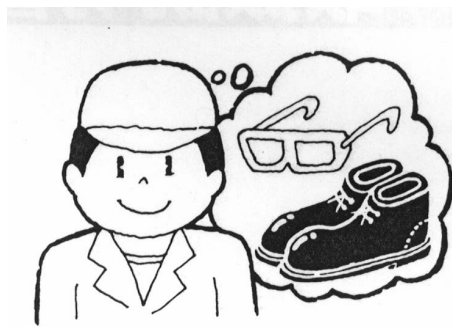
⚠ WARNING

- ① All visitors should be kept a safe distance from work area. Keep children away.
- ② When not in use, machines should be stored in dry and locked-up place - out of reach of children.
- ③ Wires and Heads should be handled carefully to avoid accidents and injury.
- ④ During operation, keep your face away from the moving parts. You may be caught in the moving parts, causing injury.
- ⑤ If you have dropped or hit the machine accidentally, carefully check for damage, crack or deformation.
- ⑥ If you have noticed abnormal state of the machine, ask for inspection or repair.



⚠ CAUTION

- ① Wear proper apparel. Wear safety shoes and glasses according to the environment.
- ② Connect Wire and Head properly. You cannot clean pipes or Head may be dropped in pipe if not connected properly.
- ③ Do not pull out Wire any more if you find "red mark" on Wire. It shows the end of Wire.
- ④ Do not rotate Wire before tightening chuck to hold Wire. Wire will be twisted and it may cause accident and injury.
- ⑤ Use Safety Glove exclusive for drain cleaning. Unsuitable gloves may be caught by rotating parts leading to accidents.



■ SPECIFICATIONS

Code No.	Item	Capacity	Length of Wire	Weight
DH75B	Drain Cleaner H-75 Bulb	20~75mm	φ 8mm × 8m (Bulb Head)	2.8kg
DH75D	Drain Cleaner H-75 Drop	20~75mm	φ 8mm × 8m (Drop Head)	2.8kg
DH150	Drain Cleaner H-150	20~100mm	φ 10mm × 15.5m (Universal))	10.2kg

■ WIRE

● Bulb Head Wire

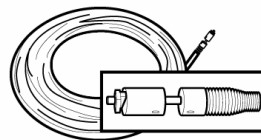
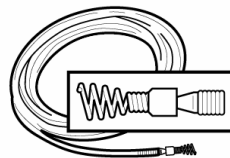
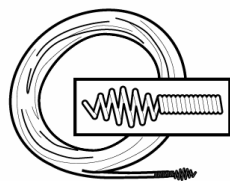
A barrel type Head is suitable for small pipes.

● Drop Head Wire

Suitable for small winding pipes

● Universal Wire

4 types of Head can be changed depending on the condition.



■ HEAD

● Funnel Head

Suitable to remove vegetables, rags, papers, hairs, etc.

● Wire Brush

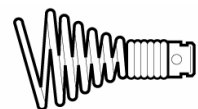
Suitable to remove sands, rust, scales, etc.

● Grease Cutter

Suitable to remove grease, etc.

● Bulb Head

Suitable for small pipes



■ STANDARD ACCESSORIES (●) AND OPTIONAL ACCESSORIES (○)

Code No.	Item	Size	H-75		H-150
			Bulb	Drop	
DH301	Bulb Head Wire	φ 8 × 8m	●		○
DH309	Bulb Head Wire	φ 8 × 15.5m			○
DH310	Bulb Head Wire	φ 8 × 20m			○
DH302	Drop Head Wire	φ 8 × 8m		●	
DH317	Drop Head Wire	φ 8 × 15.5m			○
DH318	Drop Head Wire	φ 8 × 20m			○
DH304	Universal Wire	φ 10 × 8m			○
DH303	Universal Wire	φ 10 × 15.5m			●
DH321	Universal Wire	φ 10 × 20m			○
48608	Drop Head	φ 15mm			○
48606		φ 24mm			○
48609		φ 24mm			○
48610	Funnel Head	φ 32mm			●
48611		φ 38mm			○
48612		φ 60mm			●
48601	Bulb Head	φ 24mm			○
48613	Grease Cutter	φ 22mm			○
48616		φ 36mm			○
48617		φ 62mm			○
48602	Double Grease Cutter	φ 40mm			○
48618	Wire Brush	φ 20mm			○
49619		φ 30mm			○
48626		φ 40mm			○
48620		φ 50mm			○
70135	Wire Key				●

■ SUITABLE SIZE OF HEAD (H-150)

*For reference only

Head	1"~	1.1/4"~	1.1/2"~	2"~	2.1/2"~	3"~
Funnel Head		φ 24mm	φ 32mm	φ 38mm		φ 60mm
Bulb Head		φ 24mm				
Grease Cutter		φ 22mm		φ 36mm	φ 62mm	
Double Grease Cutter				φ 40mm		
Drop Head	φ 15mm	φ 24mm				
Wire Brush	φ 20mm	φ 30mm		φ 40mm	φ 50mm	

■ HOW TO CHANGE HEAD (H-150)

- ① To couple Head and Wire, simply slide male to female. They are locked with male pin.
- ② To disconnect, insert Wire Key and slide apart male and female.
- ③ Wires are male and Heads are female.

